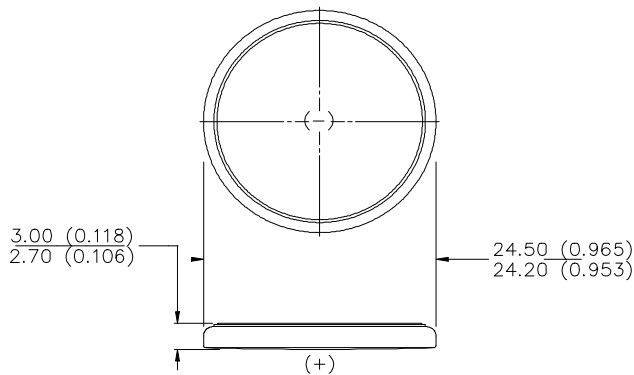


## ENERGIZER NO. CR2430



Industry Standard Dimensions in mm (inches)



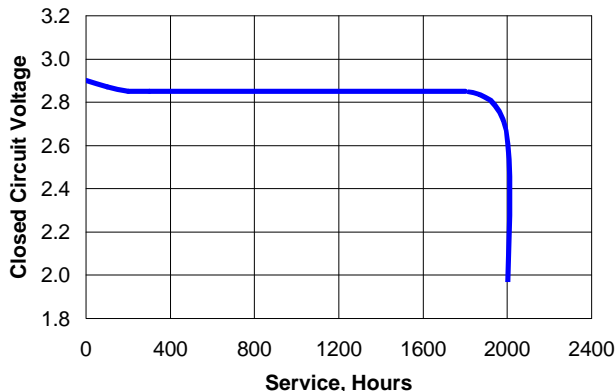
THIS BATTERY HAS UNDERWRITERS LABORATORIES COMPONENT RECOGNITION

**Chemical System:** Lithium / Manganese Dioxide (Li/MnO<sub>2</sub>)

**Designation:** ANSI / NEDA-5011LC, IEC-CR2430  
**Battery Voltage:** 3.0 Volts  
**Average Weight:** 4.6 grams (0.16 oz.)  
**Volume:** 1.3 cubic centimeters (0.08 cubic inch)  
**Average Capacity:** 290 mAh to 2.0 volts  
 (Rated at 10k ohms continuous at 21°C)  
**Maximum Reverse Charge Current:** 1 microampere  
**Energy Density:** 183 milliwatt hr/g, 647 milliwatt hr/cc

### TYPICAL DISCHARGE CURVE

Simulated Test @ 21°C (70°F)



### Simulated Application Test Estimated Average Service at 21°C (70°F)

| Schedule:    | Typical Drains<br>at 2.9V<br>(microamperes) | Load<br>(ohms) | Cutoff Voltage |
|--------------|---|----------------|----------------|
|              |   |                | 2.0V           |
| 24 hours/day | 145   | 20,000         | 2,000 Hours    |

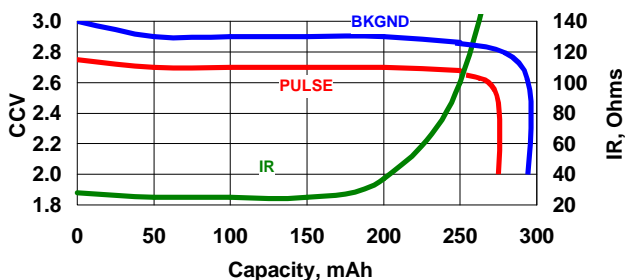
### INTERNAL RESISTANCE CHARACTERISTICS

#### Pulse Test @ 21°C (70°F)

**Schedule:** Continuous for background  
 2 seconds X 12 times/day for pulse  
**Typical Background Drain @ 2.9V (milliamps):**  
 0.29 milliampères  
**Typical Pulse Drain @ 2.6V (milliamps):**  
 9.30 milliampères  
**Background Load:**  
 10k ohms  
**Pulse Load:**  
 300 ohms

### IR CHARACTERISTICS

Pulse Test @ 21°C (70°F)



### Important Notice

This data sheet contains information specific to batteries manufactured at the time of its publication.

**Contents herein do not constitute a warranty.**

Copyright © Eveready Battery Co. Inc. - All Rights Reserved